



# DISPLAYS, PACKAGING & SIGNAGE



# CONTENTS

## ROLL UP DISPLAYS

Roll Up Lite .....	4
Roll Up Regular.....	5
Roll Up Prestige .....	5
Roll Up Euro Connect.....	6
LED Light .....	6
Roll Up Outdoor .....	7
Roll up Mini.....	7

## COUNTER DISPLAYS

Menu/Display Holder .....	8
Catalogue Holder .....	9
Rigid Brochure Holder .....	9
Counter Sign (POS).....	9

## SIGNAGE

Street Talker Footpath Sign.....	10
PVC A-Frame .....	10
Timber A-Frame .....	11
Black & White Board Footpath Sign .....	11
Eco Footpath Sign.....	11
Heavy Duty Steel A-Frame .....	12
Mini A-Frame .....	12
Lawn Sign - Selmax.....	13
Free Standing Sign Holder .....	13

## FLAGS

Teardrop Flag .....	14
Windblade Flag .....	14
Banner Flag .....	15
Stock Flag .....	15
Flag Base Options.....	15





Keep an eye out for our eco logo - it indicates the best eco-friendly option we have to offer

## WAVE FABRIC DISPLAYS

8FT Fabric Frame Tube Wall.....	16
10FT Fabric Frame Tube Wall.....	17
20FT Fabric Frame Tube Wall.....	18
Captain Wall.....	20

<b>FENCE WRAPS</b> .....	21
--------------------------	----

<b>TENTS</b> .....	22
--------------------	----

## POP-UP COUNTERS

Ezy Pop-Up Counter .....	23
Pop-Up Counter .....	23
Lemonade Stand / Counter .....	23

## WALL & FLOOR GRAPHICS

Floor Graphics.....	24
Removable Wall Graphics .....	24
Window Frosting .....	25
Custom Wallpaper .....	25

<b>WIDE FORMAT PRINTING MEDIAS</b> .....	26
--	----

<b>FLATBED PRINTING</b> .....	27
-------------------------------	----

<b>MOUNTING OPTIONS</b> .....	28
-------------------------------	----

<b>PACKAGING</b> .....	30
------------------------	----

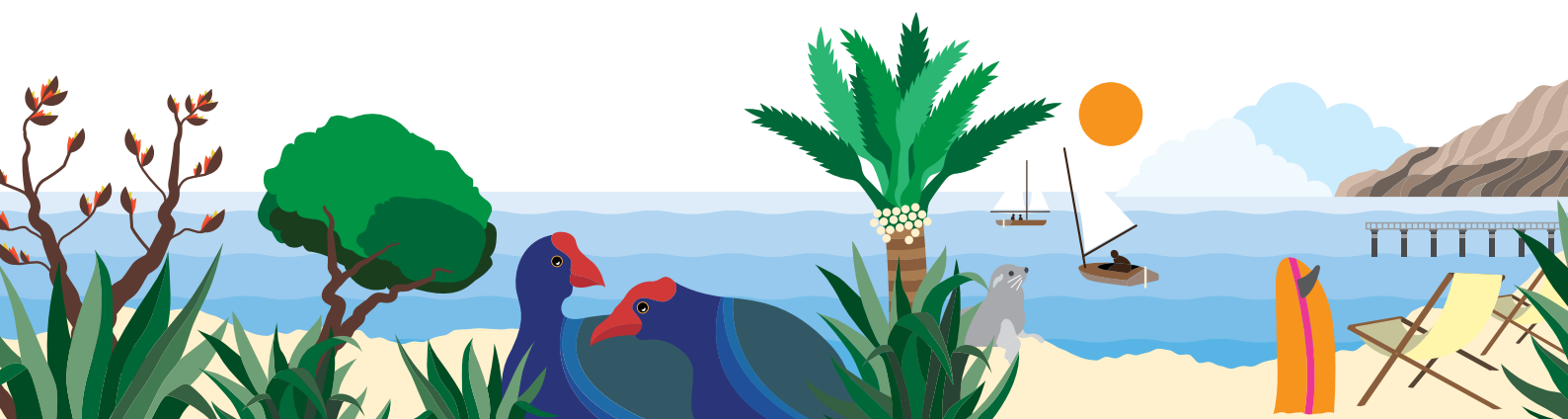
## OTHER PRODUCTS

LED Indoor Light Box.....	32
Mitre Frame .....	32
Suspension Banner Rail .....	32
Canvas Print .....	33
Contour Cutting .....	33
Magnet.....	33

## VEHICLE SIGNAGE

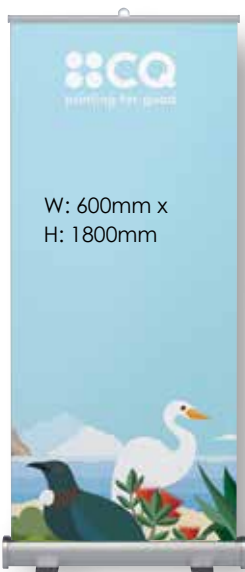
Vehicle Signage .....	34
Bumper Sticker .....	34

<b>DIGITAL BILLBOARD</b> .....	35
--------------------------------	----





# ROLL UP DISPLAYS

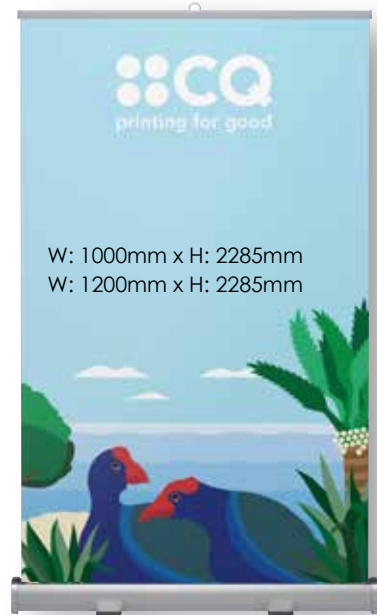


W: 600mm x  
H: 1800mm



W: 850mm x  
H: 2285mm

*(Also available in black)*



W: 1000mm x H: 2285mm  
W: 1200mm x H: 2285mm

## ROLL UP LITE

A lightweight and economical, free standing, retractable display suitable for light infrequent use.

This unit comes in an attractive metal finish. Easily transportable, the Roll Up Lite comes in a fabric carry bag.

Note: 285mm hidden in bottom of unit.

See our print template at [cq.co.nz](http://cq.co.nz)



## ROLL UP REGULAR



A robust and professional looking, free standing, retractable display. The unit comes in an attractive metal finish.

The positive top clamp and adhesive bottom require no special finishing to your graphic. This easily transportable banner comes in a fabric carry bag.

See our print template at [cq.co.nz](http://cq.co.nz)



### REGULAR DIMENSIONS

W: 600mm	x H: 1800mm	Weight: 3.2kg
W: 850mm	x H: 2285mm	Weight: 4kg
W: 1000mm	x H: 2285mm	Weight: 4.5kg
W: 1200mm	x H: 2285mm	Weight: 6kg

Note: 285mm hidden in bottom of unit.

### WIDE DIMENSIONS

W: 1500mm	x H: 2285mm	Weight: 6.8kg
-----------	-------------	---------------

Note: 285mm hidden in bottom of unit.

Note: Synthetic Zeus media construction only.



## ROLL UP PRESTIGE



### SINGLE SIDED

An attractive looking, free standing retractable display. Lightweight and easy to assemble.

This unit comes in black or silver with chrome end caps. The clamping system at the top and self adhesive attachment at the bottom require no special finishing to your graphic.

This banner comes in a fabric carry bag.

### DIMENSIONS

W: 830mm	x H: 2285mm	Weight: 5.5kg
W: 960mm	x H: 2285mm	Weight: 6kg
W: 1150mm	x H: 2285mm	Weight: 6.5kg

Note: 285mm hidden in bottom of unit.



### DOUBLE SIDED

A double sided version of the Prestige, allowing graphics to be displayed front and back. The unit comes in an attractive black or silver with chrome end caps.

Rear cavity size is limited so only light medias can be used. This easily transportable banner comes in a fabric carry bag.

### DIMENSIONS

W: 830mm	x H: 2285mm	Weight: 6kg
----------	-------------	-------------

Note: 285mm hidden in bottom of unit.

See our print template at [cq.co.nz](http://cq.co.nz)



# ROLL UP EURO CONNECT



## 850MM

New European style square shaped roll-up display. The Euro Connect is a superior product made with a higher grade aluminium frame and a double padded fabric carry bag.

See our print template at [cq.co.nz](http://cq.co.nz)

### DIMENSIONS

W: 850mm x H: 2285mm

Note: 285mm hidden in bottom of unit.



## 850MM - DOUBLE

New European style square shaped roll-up display. The double comes with a second unit and patented double sided adaptor. The two units can be used together as one, or separately to make two displays. Comes with two double padded fabric carry bags.

See our print template at [cq.co.nz](http://cq.co.nz)

### DIMENSIONS

W: 850mm x H: 2285mm

Note: 285mm hidden in bottom of unit.



# ROLL UP EURO CONNECT JOINERS

## 850MM - WITH JOINER

New European style square shaped roll-up display. This patented joiner can be used to add two or more units together. The units can sit side by side, at 90°, or any angle. Use multiple units and connectors to create a wall or booth.

See our print template at [cq.co.nz](http://cq.co.nz)

### DIMENSIONS

W: 850mm x H: 2285mm per unit

Note: 285mm hidden in bottom of unit.



## ROLL UP OUTDOOR



### DOUBLE SIDED

A robust, retractable, double sided display for outdoor applications.

A heavy water tank provides stability while the hand grip and wheels provide for easy movement. The telescopic poles are attached to flexible flanges which allow for some movement in a breeze.

See our print template at [cq.co.nz](http://cq.co.nz)

### DIMENSIONS

W: 800mm x H: 2260mm

Weight: 16kg

Note: 285mm hidden in bottom of unit



## ROLL UP MINI



### A4 AND A3 SIZES

Desktop version of a roll up display, available in A4 and A3 graphic sizes.

This table top mini display system is great for highlighting products, special offers or promotional giveaways.

### DIMENSIONS

A4 W: 210mm x H: 297mm Weight: 0.4kg

A3 W: 297mm x H: 420mm Weight: 0.5kg



### LED LIGHT (OPTIONAL)

This LED light is the ideal accessory for one of our roll up display units. It adds a professional touch and makes your unit stand out from the crowd.



# COUNTER SIGNS & DISPLAYS



## ●● MENU / DISPLAY HOLDER

STYLISH & FUNCTIONAL POSTER  
& MENU HOLDER

- Adjust to display either landscape or portrait
- Angle and telescopic height adjustment
- Silver anodised aluminium finish
- Stock sizes - A4, A3 and A2

Check it out in our showroom





## CATALOGUE HOLDER

Put your catalogues where your customers will see them. This Catalogue Holder looks great, protects your printing and is easily moveable.

Key features include:

- Height adjustable
- Sturdy, durable construction
- Portrait or landscape
- Suitable for A4 catalogues/brochures or smaller

(Does not come with carry case.)



## RIGID BROCHURE HOLDER

A Rigid Brochure Holder with 4 acrylic shelves that fold down into a compact carry size for transportation.

The brochure holder has four spaces for A4 sized brochures. Includes carry bag.

### DIMENSIONS

W: 260mm x H: 1560mm



CARRY CASE



FOLDED UP

## COUNTER SIGNS (POS)

### SINGLE WING & DIECUT

Counter easels are an eye-catching display product, perfect for reception areas, counters and trade shows.

A sturdy counter display, best mounted with one of our foam backing boards. Choose from a variety of finishes to create a sleek, professional finish, or use one of our 100% recyclable boards.

### DIMENSIONS

Available in standard sizes:  
A5, A4, A3, A2, A1 & odd sizes.





# SIGNAGE

## STREET TALKER FOOTPATH SIGN

The industry standard Foot Path Sign. The base can be filled with sand or water for extra stability.

You can also order new blades separately.

Available with or without handle hole.

### SIGN DIMENSIONS (INCLUDING BASE)

W: 600mm x H: 800mm

### VISIBLE GRAPHIC DIMENSIONS

W: 600 x H: 755mm



## PVC A FRAME FOOTPATH SIGN

Inexpensive entry level foldable Foot Path Sign

### SIGN DIMENSIONS

W: 450mm x H: 610mm

### VISIBLE GRAPHIC DIMENSIONS

W: 450mm x H: 610mm



## ☼ TIMBER A-FRAME

A traditional, natural timber sandwich board display.  
Suitable for indoor or outdoor use.  
Easy to fold and carry.

### SIGN DIMENSIONS

W: 660mm x H: 1000mm

### GRAPHIC DIMENSIONS

W: 605mm x H: 810mm



## ☼ BLACK & WHITE BOARD FOOTPATH SIGN

*Black & White Board Media with Quick Base*

### Quick Base

Charcoal coloured base, designed and made in Italy.  
Looks great and made to last!

We have sourced two new medias specially designed for chalk and white boards. These are top quality products that clean up after use really well.  
We can use these in conjunction with other media, and they are particularly useful for street signs or sandwich boards.

### White Board Media

Designed for great results with white board markers.

### Black Board Media

A stick on media that works as a black board.



## ☼ ECO FOOTPATH SIGN

*Plywood Media with Quick Base*

### Quick Base

Charcoal coloured base, designed and made in Italy.  
Looks great and made to last!

Ply Board (12mm)

We can print direct to a sheet of Plywood, we can also use our white ink!

### Sign Dimensions

W: 600mm x H: 850mm





## HEAVY DUTY STEEL 'A' FRAME

### *Corflute, Palight or ACM Signboard*

Heavy Duty A-Frame with Signboard

Sturdy black steel frame.

Super easy to change out graphics.

Retractable Handle

Available with single or two signs inserted.

#### **FRAME SIZE**

W: 625mm x H: 1050mm

#### **GRAPHIC SIZE**

W: 605mm x H: 918mm

Note: With graphics needed for front and back

#### **VIEWABLE AREA**

W: 585mm x H: 902mm



## MINI A-FRAME

### *The ultra portable Mini A-Frame*

The Mini A-Frame folds completely flat for storage and the graphic area folds to the inside protecting the image from damages while in transit. To deploy, simply fold one side over making an A shape. The weighted feet make the unit stable in light to moderate wind conditions. Ideal for use as a temporary directional signage, real estate open home signs, coffee and food vans, sporting events signage etc.

#### **DIMENSIONS**

W: 600mm x H: 450mm

Image on both sides



*Folded with graphic protected inside*

## ☼ LAWN SIGN - SELMAX

Great for open days, event signs & real estate  
Frame available in black or white. Printed on corflute.  
Injection moulded sign holders, moulded from engineering plastic for durability and aesthetic appeal.  
One piece sign and lightweight, interchangeable graphics.

### SIGN DIMENSIONS

W: 475mm x H: 570mm

### GRAPHIC SIZE

W: 450mm x H: 300mm

Note: need graphics for front & back



## ☼ FREE STANDING SIGN HOLDER

### (1/2 PANEL)

Sturdy black steel, Free Standing Sign Holder.  
Super easy to change out graphics.  
Single or double sided graphic.

### VISIBLE GRAPHIC SIZE

W: 524mm x H: 678mm

### BOARD SIZE

W: 560mm x H: 710mm

### UNIT SIZE

W: 600mm x H: 1554mm

**WEIGHT: 15KG**



## ☼ FREE STANDING SIGN HOLDER

### (FULL PANEL)

Sturdy black steel, Free Standing Sign Holder.  
Super easy to change out graphics.  
Single or double sided graphic.

### VISIBLE GRAPHIC SIZE

W: 524mm x H: 1408mm

### BOARD SIZE

W: 560mm x H: 1425mm

### UNIT SIZE

W: 600mm x H: 1554mm

Weight: 15kg







# FLAGS

Allow 12-14 working days for flag orders



## TEARDROP FLAGS

### OUR MOST POPULAR FLAG

Teardrop Flags (Model A)

Available in three sizes. The poles are durable fibre-glass and each unit comes in a carry bag.

Available in single or double sided print.

Comes with soft fabric carry bag & pole

#### FLAG SIZE

Small - 810 x 1820mm  
 Medium - 1104 x 2610mm  
 Large - 1360 x 3790mm

**BASE SOLD SEPARATELY**

## WINDBLADE FLAGS

### WINDBLADE FLAGS (MODELS B,C,D & E)

Available in three sizes and four shapes.

The poles are durable fibre-glass and each unit comes in a carry bag.

Available in single or double sided print.

Comes with soft fabric carry bag & pole

**BASES SOLD SEPARATELY**

#### HEIGHT

Small - 2500mm  
 Medium - 3500mm  
 Large - 4700mm

#### FLAG SIZE

Small - 630 x 2000mm  
 Medium - 640 x 2960mm  
 Large - 780 x 4010mm



# FLAG BANNERS

Swingarms are created to custom sizes. The poles are durable aluminium and each unit comes in a carry bag. The vertical pole is telescopic so the height can be set between 1220mm and 3000mm. The flag can be produced at any size required. See below for typical sizes.

Comes with soft fabric carry bag & pole

**BASES SOLD SEPARATELY**

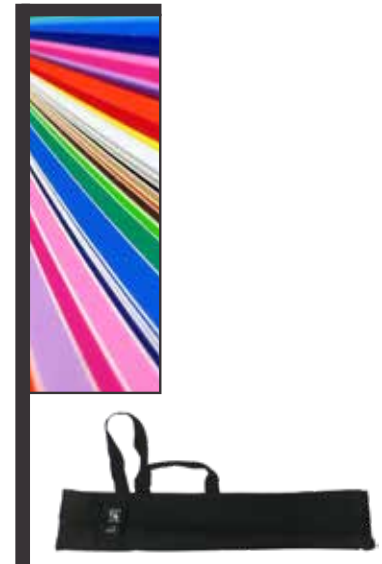
Available in single or double sided print.  
(Large size only available in single sided)

**HEIGHT**

Small - 2100mm  
Medium - 2900mm  
Large - 4100mm

**FLAG SIZE**

Small - 700 x 1680mm  
Medium - 700 x 2500mm  
Large - 700 x 3450mm



# STOCK FLAGS

We have a range of off the shelf flags (Sale, Open Home, Cafe, Open, Coffee, Food) subject to availability.

A great way to get a inexpensive & fast flag.

Single sided only.

**FLAG SIZE**

W: 620mm x H: 2440mm



Comes with soft canvas carry bag & pole.

**CROSS FOOT OR GROUND SPIKE BASE PURCHASED SEPARATELY**

## FLAG BASE OPTIONS



Cross Foot



Ground Spike



Wheel Stand



Water Bladder



Water Base  
Without Wheels



Flat Base



Angled  
Wall Mount



180 Degree  
Wall Mount



90 Degree  
Mount



60 Degree  
Tent/Post



# WAVE FABRIC DISPLAYS

Allow 12-14 working days for wall orders

## 8FT FABRIC FRAME TUBE WALL



### 8FT STRAIGHT

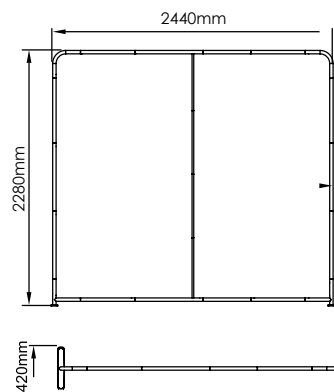
**DP-TB-S8**

Available with single sided or double sided graphics.  
Replacement graphics/skins available.

#### DIMENSIONS

Display Size: W 2440mm x H 2280mm  
Graphic Size: W 2500mm x H 2340mm  
Weight 7kg

Display comes with a durable carry bag



### 8 FT CURVED

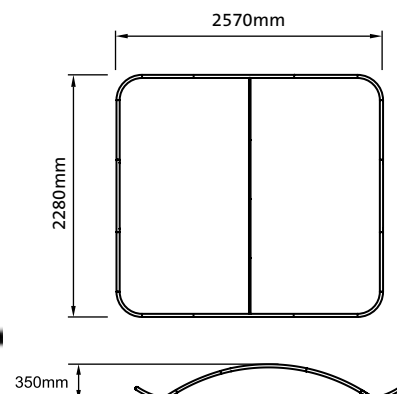
**DP-TB-C8**

Available with single sided or double sided graphics.  
Replacement graphics/skins available.

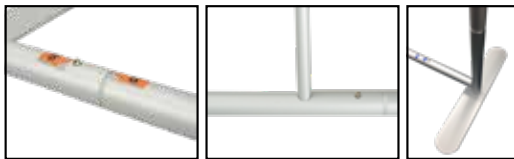
#### DIMENSIONS

Display Size: W 2570mm x H 2280mm  
Graphic Size: W 2630mm x H 2340mm  
Weight 8kg

Display comes with a durable carry bag



# 10FT FABRIC FRAME TUBE WALL



## 10FT STRAIGHT

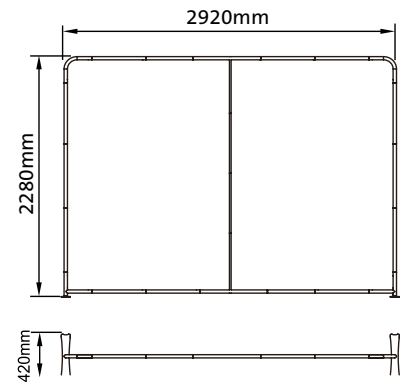
### DP-TB-S10

Available with single sided or double sided graphics. Replacement graphics/skins available.

#### DIMENSIONS

Display Size:  
W 2920mm x H 2280mm  
Graphic Size:  
W 2980mm x H 2340mm  
Weight 7.5kg

Display comes with a durable carry bag



## 10FT CURVED

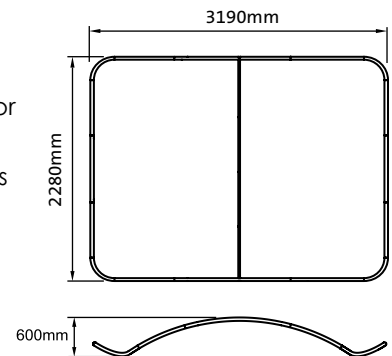
### DP-TB-C10

Available with single sided or double sided graphics. Replacement graphics/skins available.

#### DIMENSIONS

Display Size:  
W 3190mm x H 2280mm  
Graphic Size:  
W 3250mm x H 2340mm  
Weight 10kg

Display comes with a durable carry bag



## 10FT S-SHAPE

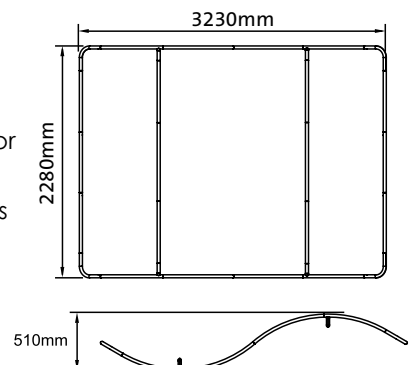
### DP-TB-SH10

Available with single sided or double sided graphics. Replacement graphics/skins available.

#### DIMENSIONS

Display Size:  
W 3230mm x H 2280mm  
Graphic Size:  
W 3295mm x H 2340mm  
Weight 10kg

Display comes with a durable carry bag





# 20FT FABRIC FRAME TUBE WALL

## 20FT STRAIGHT

**DP-TB-S19**

Available with single sided or double sided graphics.  
Replacement graphics/skins available.

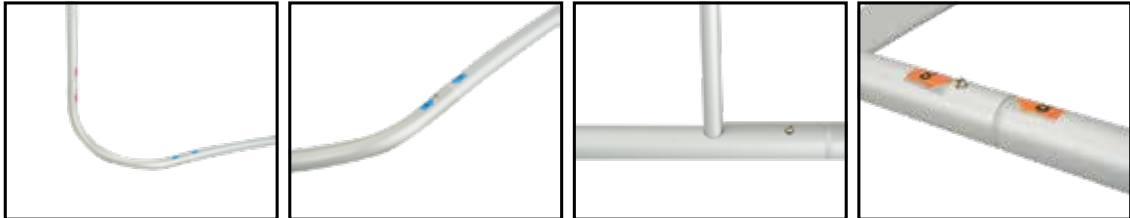
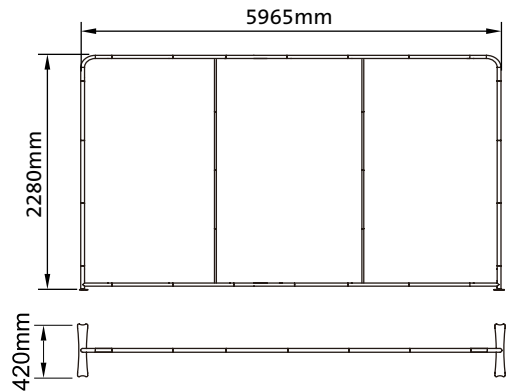
**DIMENSIONS**

Display Size: W 5965mm x H 2280mm

Graphic Size: W 6025mm x H 2340mm

Weight 13kg

Display comes with a durable carry bag



## OPTIONAL ACCESSORIES



### HARD TROLLEY BAG

**DIMENSIONS**

Packing Size:  
920mm x 430mm x 430mm



### LED LIGHT

**DP-UN-TB-L1**

**DIMENSIONS**

Packing Size:  
600mm x 360mm x 320mm  
Weight 1.6kg



## 20FT CURVED

### DP-TB-C17

Available with single sided or double sided graphics.  
Replacement graphics/skins available.

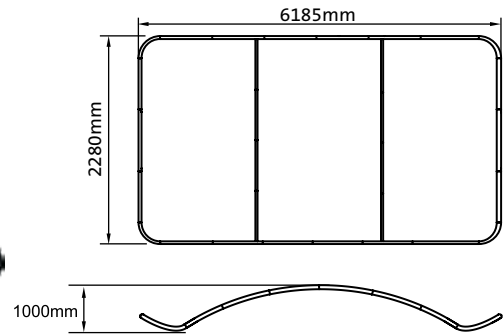
#### DIMENSIONS

Display Size: W 6185mm x H 2280mm

Graphic Size: W 6245mm x H 2340mm

Weight 15kg

Display comes with a durable carry bag



## 20FT S-SHAPE

### DP-TB-SH20

Available with single sided or double sided graphics.  
Replacement graphics/skins available.

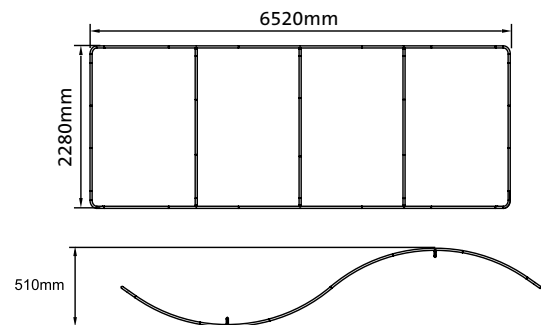
#### DIMENSIONS

Display Size: W 6520mm x H 2280mm

Graphic Size: W 6580mm x H 2340mm

Weight 17kg

Display comes with a durable carry bag



# FABRIC TUBE WALL

**CAPTAIN 600**  
DP-TW-H60



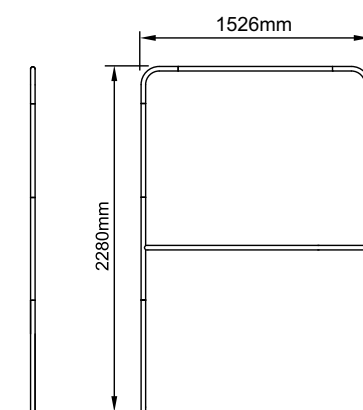
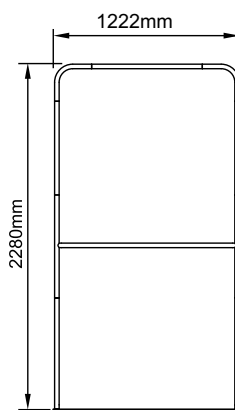
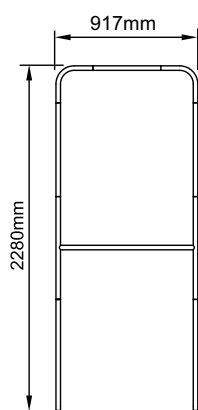
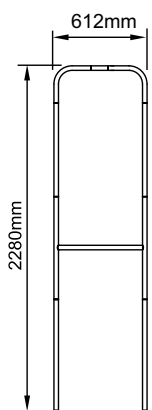
**CAPTAIN 900**  
DP-TW-H90



**CAPTAIN 1200**  
DP-TW-H120



**CAPTAIN 1500**  
DP-TW-H150



**ITEM: CAPTAIN FABRIC STAND**

VISIBLE	612 x 2220mm	917 x 2220mm	1222 x 2220mm	1526 x 2220mm
GRAPHIC	660 x 2280mm	970 x 2280mm	1270 x 2280mm	1570 x 2280mm
GROSS WEIGHT	7.00kg	9.00kg	11.00kg	14.00kg
QTY/CTN	1pc	1pc	1pc	1pc



# FENCE WRAP

Maximise your brand exposure & make your site secure & private. All fence wraps come with welded hems for extra strength & durable metal eyelets at 400mm spacings. We have three grades to choose from; Max, Lite or Flow.

MAX	
STRENGTH	<div style="width: 100%; height: 10px; background-color: #0056b3;"></div>
HIGH WINDS	<div style="width: 25%; height: 10px; background-color: #0056b3;"></div>
PRIVACY	<div style="width: 100%; height: 10px; background-color: #0056b3;"></div>
PRINT QUALITY	<div style="width: 100%; height: 10px; background-color: #0056b3;"></div>

Max is your go to product for quality images. It's close weave gives you maximum privacy and a bigger surface area for lots of ink – more detail and brighter colours.

#### SIZES AVAILABLE

1.8m high x 50m length rolls.  
Custom cut panels - 1.8m high x required length.

LITE	
STRENGTH	<div style="width: 75%; height: 10px; background-color: #0056b3;"></div>
HIGH WINDS	<div style="width: 50%; height: 10px; background-color: #0056b3;"></div>
PRIVACY	<div style="width: 75%; height: 10px; background-color: #0056b3;"></div>
PRINT QUALITY	<div style="width: 75%; height: 10px; background-color: #0056b3;"></div>

Lite is the mesh with the best of both worlds, a bit of Max and a bit of Flow. You'll get pretty good privacy and a fair amount of wind can pass through. You won't get fine detail, but the image quality is on the money and colours retain their vibrancy.

#### SIZES AVAILABLE

1.8m high x 50m length rolls.  
Custom cut panels - 1.8m high x required length.

FLOW	
STRENGTH	<div style="width: 50%; height: 10px; background-color: #0056b3;"></div>
HIGH WINDS	<div style="width: 90%; height: 10px; background-color: #0056b3;"></div>
PRIVACY	<div style="width: 50%; height: 10px; background-color: #0056b3;"></div>
PRINT QUALITY	<div style="width: 50%; height: 10px; background-color: #0056b3;"></div>

Flow is our most popular fence mesh, being the most comparable product to it's inferior cousin Shade Cloth. The open weave lets ample wind through, but in doing so, sacrifices a bit of image detail and vibrancy. That said, it is a stunning product that will serve you well.

#### SIZES AVAILABLE

1.75m high x 50m length rolls.  
Custom cut panels - 1.75m high x required length.



SWING BY TO CHECK OUT A SAMPLE IN OUR SHOWROOM.





# DELUXE POP UP TENTS

**(DYE SUBLIMATION PRINTS)**

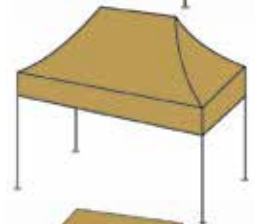
Allow 12-14 working days for wall orders



**SMALL**  
DP- CPU-S (3m x 3m)



**MEDIUM**  
DP- CPU-TM (3m x 4.5m)



**LARGE**  
DP- CPU-TL (3m x 6m)



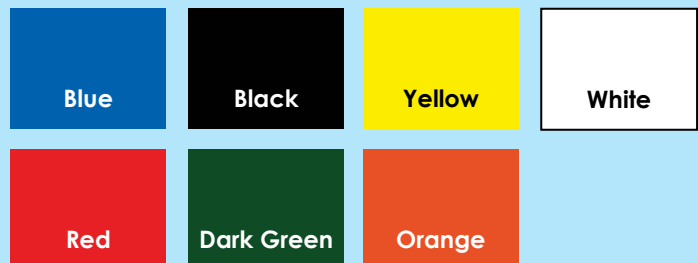
## STANDARD FABRIC COLOUR CHOICES

Create your own logo/website imprints on the text

Optional weighted plastic bases (for corners) - DP-TCA-PW



ALL TENTS INCLUDE CARRY BAGS



# POPOPUP COUNTERS

## ●● EZY POP-UP COUNTER

Ezy Pop-Up Counters are sturdy, lightweight and easy to assemble. Ezy Pop-Up Counters are a cost effective portable counter solution ideal for trade show events, exhibitions and product promotions. The counter is sturdy yet packs away quickly and easily in to two carry cases making it easy to transport.

Comes with a carry case. [See our print template at cq.co.nz](http://www.cq.co.nz)  
We also have a tip sheet set up with graphic sizes and assembly instructions.

**GRAPHIC DIMENSIONS** W: 1720mm x H: 900mm

## ●● POP-UP COUNTER

Pop-Up Counters are extremely popular for product launches and trade shows, giving you an instant presentation counter.

This Pop-Up Counter has a light aluminium frame, glossy black bench top and magnetic strips to attach your front banner image. Simple to set up and transport.

Comes with a carry case. [See our print template at cq.co.nz](http://www.cq.co.nz)

**GRAPHIC DIMENSIONS** W: 1960mm x H: 950mm



## ●● LEMONADE STAND/COUNTER

The Lemonade Stand is one of the most economical pop up counters available.

Light weight, easy to assemble and incredibly sturdy, the Lemonade Stand is perfect for all retail POS and trade shows where a simple but stable temporary presentation work area is required.

With 4 large graphic areas (front, sides and pelmet) the Lemonade Stand makes for an eye-catching display.

Comes in a carry case. Includes internal shelf and pelmet sign.

### DIMENSIONS

W: 810mm	H: 860mm (Counter)
W: 800mm	H: 360mm (Top Banner)
D: 470mm	H: 2060mm (Overall)





# WALL & FLOOR GRAPHICS

## ❖ FLOOR GRAPHICS

These indoor floor graphics are a quick and easy way to increase brand visibility and leave an effective visual impact.

- No lamination required
- Bubble free application
- Cost effective
- For indoor use only
- Extremely easy to apply

**DIMENSIONS:** Max width 1500mm



## ❖ REMOVABLE WALL GRAPHICS

Our Textile Wallpaper products are like giant post-it notes that can be printed up to 1370mm wide.

You can stick this to walls, windows etc and move it at will with little risk of damage.

We can cut to any shape with our contour cutter.



## ❖ WINDOW FROSTING



Looking to keep the sun out or add some privacy - apply some frosting to your window.

We can also make it more interesting with some contour cut shapes and patterns.

## ❖ CUSTOM WALLPAPER



### CUSTOM DESIGN YOUR VERY OWN WALLPAPER!

If you need custom printed wallpaper, CQ can sort you out. Design your own wallpaper for a totally unique interior decor feature. Perfect for the office, home, children's bedrooms, feature walls and more.

**The ideas are endless!**



Example of wallpaper



Example of wallpaper





# WIDE FORMAT PRINTING

Size does matter! Can you imagine Michelangelo's Sistine Chapel painting on a postage stamp? So why settle for your marketing material being printed on A3 paper?

Here at CQ we have the latest in wide format technology, capable of printing on a roll 1.5 metres wide by 30 metres long! We can print on a variety of stocks to complement your work (listed below). If you're not sure which stock would work best for your job, come in and talk to one of our wide format specialists.

## WIDE FORMAT MEDIAS

- **WHITE PAPER** - 200gsm. Our most popular white media
- **WHITE PAPER** - 125gsm (best environmental rating) Standard matt stock, FSC Paper
- **PHOTO GLOSS** - 195gsm. Photo gloss stock
- **SYNTHETIC MEDIA** - 200mic
- **BLOCKOUT** - Blocks light, great for sunny locations, anti curl
- **BACK-LIT FILM** - 250gsm - for light boxes
- **SALIENT TEXTILE** - 170Mic. For soft posters, textile white cloth
- **RETAC** - Ultra removable, best for wall graphics, can be cut to any shape
- **WALLPAPER** Removable, textured, tough.
- **OUTDOOR BANNER** - Super strong outdoor or indoor banner material, 340gsm, can add eyelets for hanging
- **EASY APPLY** - Air release white label available in **matt** and **gloss** (super easy to apply). Bubble free.
- **CLEAR SELF ADHESIVE** - Clear Sticker Material
- **VINYLS** - 5 year indoor and outdoor vinyls in a variety of colours (non-printable stock)
- **TEXWALK** - Non-slip sticker for carpets and floors (Floor Graphics)
- **CANVAS** - High grade canvas, talk to us about framing options
- **KRAFT** - Brown Kraft paper 120gsm
- **PERFORATED WINDOW FILM** - See through film for window graphics

## DISPLAY UNIT CONSTRUCTION OPTIONS

- **Light Block (standard)**  
Falcon Blockout 250mu (great for strong light environments - e.g. a front window)
- **Laminated**  
True Colour 125gsm, super strong with matt lamination



# FLATBED PRINTING

## Our wide format flatbed printer changes the game

- Ability to print direct to media  
e.g.: corflute, palight, glass, wood and X board (2440 x 1220mm & 50mm thick)
- Prints white ink
- Great for our environment - no solvents and no ozone
- Produces photographic quality prints
- Inks dry instantly
- Provides more accurate colour matching
- UV inks and LED's produce very little heat which enables us to print onto even more media



WOOD



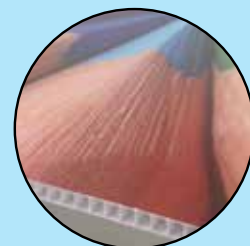
GLASS



ALUMINIUM



X BOARD



CORFLUTE





# MOUNTING OPTIONS



## ACM

- 3mm
- Strong rigid board
- Suitable for indoor and outdoor use
- Print direct or apply a sticker
- Suitable for extended outdoor use if used with a vinyl adhesive and laminated. (Max life)



## CORFLUTE

- Available in 3.3mm and 5mm
- Cost effective
- Suitable for indoor and outdoor use
- Durable to withstand sunlight and general weather
- Print direct or apply a sticker

**NOTE:** Matt and Gloss laminating available on all mounting options





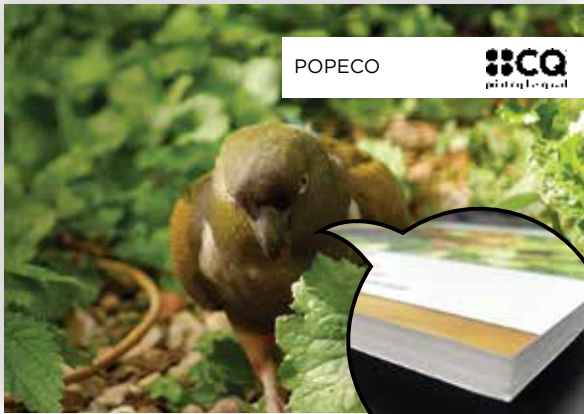
**DISPA**

- 3.3mm
- Eco friendly and recyclable
- Suitable for indoor use
- Print direct



**PALIGHT**

- Available in 2mm, 3mm and 4mm
- Lightweight indoor signage
- Print direct or apply a sticker
- Can wrap edges with sticker option



**POPECO**

- 10mm
- Lightweight
- Rigid and durable
- Suitable for indoor use
- Print direct or apply a sticker

Edging tape optional



**KATZ ECO**

- 2mm
- Eco friendly & recyclable
- Suitable for indoor or short-term outdoor use
- Water resistant
- Print direct



**X BOARD**

- 10mm
- Eco friendly and recyclable
- Suitable for indoor use
- Print direct



Silver Eyelet



Mounting Hook For Corflute

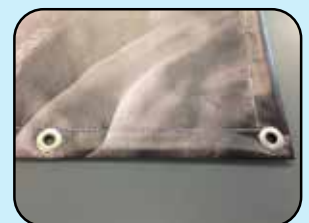


Mounting Hook For Ultra Mount



Two sizes of studs available. Gold or silver, and our Cling On product.

Sewing: Used for sewing and eyeleting our banner media





# PACKAGING

## ❖❖ PETAL BOX

These Petal Boxes are sure to impress your customers. Named for the petal-like sides when laid flat, the petals are pulled together at the handle without the need for glue or tape.

**DIMENSIONS**  
H: 140mmH x W: 102mm x D: 106mm

## ❖❖ PYRAMID BOX

These Pyramid Boxes can be custom branded and personalised with your clients names. These open at the base and can be filled with chocolates or other treats. Perfect when you want something a bit different from the usual.

**DIMENSIONS**  
H: 90mm x W: 100mm x D: 100mm

## ❖❖ TRIANGLE BOX

These Triangle Boxes can be custom branded and are ideal for wedding favours or corporate gifts.

They fit together with no need for glue or tape and can be printed single or double sided to convey a secret message when opened.

**DIMENSIONS**  
65mm W x 56mm D x 75mm H





## PRINTED PAPER BAGS

The perfect environmental choice

We can print these both digitally (small runs) or offset (large runs). With the option of white toner, there are endless opportunities for use.



## CHOCOLATE BOXES

Do you want to impress your clients?

What better way than with chocolates in a custom branded box. Our standard chocolate boxes come in three sizes; small, large and extra large or if preferred you can design your own custom size and shape.

### DIMENSIONS

Small: 90mm H x 90mm W x 30mm D

Large: 113mm H x 90mm W x 30mm D

Extra Large: 60mm H x 130mm W x 90mm D



## CHOCOLATE WRAPS

Personalise a block of chocolate with a custom branded wrap. We have templates for Cadbury and Whittakers chocolate or can design a wrap to your specific size.

Our new mini wraps are perfect for party favours or for the hospitality industry.

A great customer giveaway.



## WINE BOXES

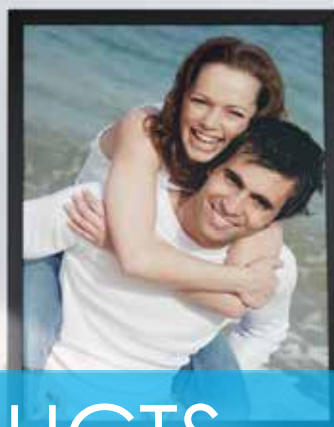
Any client will appreciate a bottle of wine but to make a real impression why not present it in a custom printed wine box. These can be printed on white, black or kraft heavy card. Each box has a small window to showcase the bottle inside.

Custom printed packaging not only looks great but shows that your business is professional and adds credibility to your company. We can also print labels or tags for your wine bottles if required.

### DIMENSIONS

337mm H x 84mm W x 81mm D





# OTHER PRODUCTS



## LED INDOOR LIGHT BOXES

LED Indoor Light Box with magnetic cover is our fantastic new product, ideal for advertising your product.

Easy to use, simple magnetic glass cover to replace advertising whenever you feel the need. 230 volts.

### DIMENSIONS

Available in sizes  
A3, A2, A1 and A0  
Depth: 21mm

## MITRE FRAMES

Click frames are a great way to display notices, menus, photos and advertising.

Available in a range of sizes and in a silver or black finish.

All supplied with anti glare PVC film cover.

### DIMENSIONS

Available in sizes A4, A3, A2, A1 and A0



## SUSPENSION BANNER RAILS

This Suspension Banner Rail in aluminium provides classy and cost effective solutions for displaying your graphics.

Easy to use, simply snap open and snap shut at the top and bottom ends of your poster to then suspend from your ceiling or hang from your wall. Includes two U hangers for both wall mounting and ceiling suspension. Supplied in a pack with a top and bottom rail.

### DIMENSIONS

W: 600mm | W: 850mm | W: 1000mm | W: 1200mm | W: 1500mm





## ☼ CANVAS PRINTING

Give a gift with meaning. A special photo or your artwork printed onto stretched and framed canvas makes a great gift for family or friends.

Canvas prints look professional and modern. They can be great advertising in your shop or office. Why not add your company logo to the image? Its inkjet coating is specifically designed so it can be stretched over a frame and resist cracking.



## ☼ CONTOUR CUTTING

### *The Amazing Contour Cutter*

With our new contour cutter we can cut vinyls up to 1300mm wide to any shape and almost any size. This cutter is so precise that even the smallest or most intricate labels can be cut. Contour cutting is ideal for window and wall graphics, labels, stickers etc.

#### **DIMENSIONS**

W: Up to 1300mm wide and down to any size or shape



CQ's contour cut rubbish bin labels



Contour cutter in action



## ☼ MAGNETS

Custom cut, or large sheets.

We can offer a full range of magnets from custom cut fridge magnets to full sheets up to 1350mm wide. We have a range of samples available to view in store.

#### **DIMENSIONS**

Up to A2 size (420 x 594mm)





# VEHICLE SIGNAGE



We can design and install graphics to your vehicle - or your full fleet!

## •• BUMPER STICKERS

Long lasting car bumper or window stickers.

These stickers are printed on a special long-life vinyl designed for outdoor use. To further enhance the longevity of the vinyl, we add a special protection laminate. We can print your bumper stickers to any size or shape.

**DIMENSIONS**  
Any size or shape.

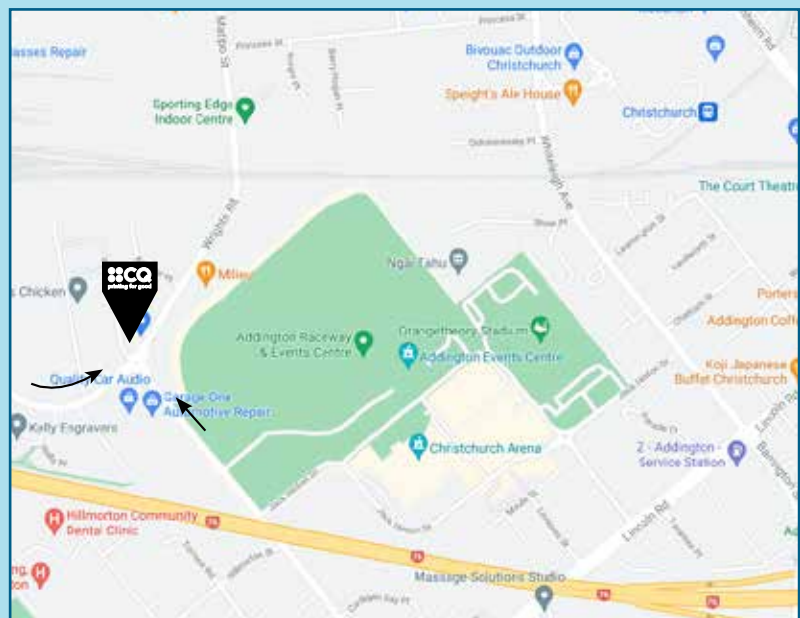




## Addington Raceway Roundabout

## 103 Wrights Road

Located on a major Christchurch intersection (Wrights Road & Birmingham Drive), this site captures traffic as it heads into major retail, industrial, entertainment and sporting areas, Addington Raceway and events centre and Wolfbrook Arena. Also, a main road to Westfield Mall and CBD via Blenheim Road.



**Traffic:** 10428 cars a day  
**Rotation time:** 7.5 seconds  
**Slots available:** 8 slots  
 Also available half or quarter slots  
**Media Cycle:** Weekly/Monthly  
**Size:** 6 x 3 metres

# A0

841 x 1189mm

103 Wrights Road  
Cnr Wrights Road and  
Birmingham Drive  
Christchurch  
03 963 8899  
info@cq.co.nz

**cq.co.nz**

# A1

594 x 841mm

**OVERSIZE**

330 x 660mm

# A2

**SRA3** 320 x 450mm

# A3

297 x 420 mm

# A4

210 x 297mm

# A5

148.5 x 210mm

BUSINESS  
CARDS  
90 x 55mm

**DLE**  
99 x 210mm